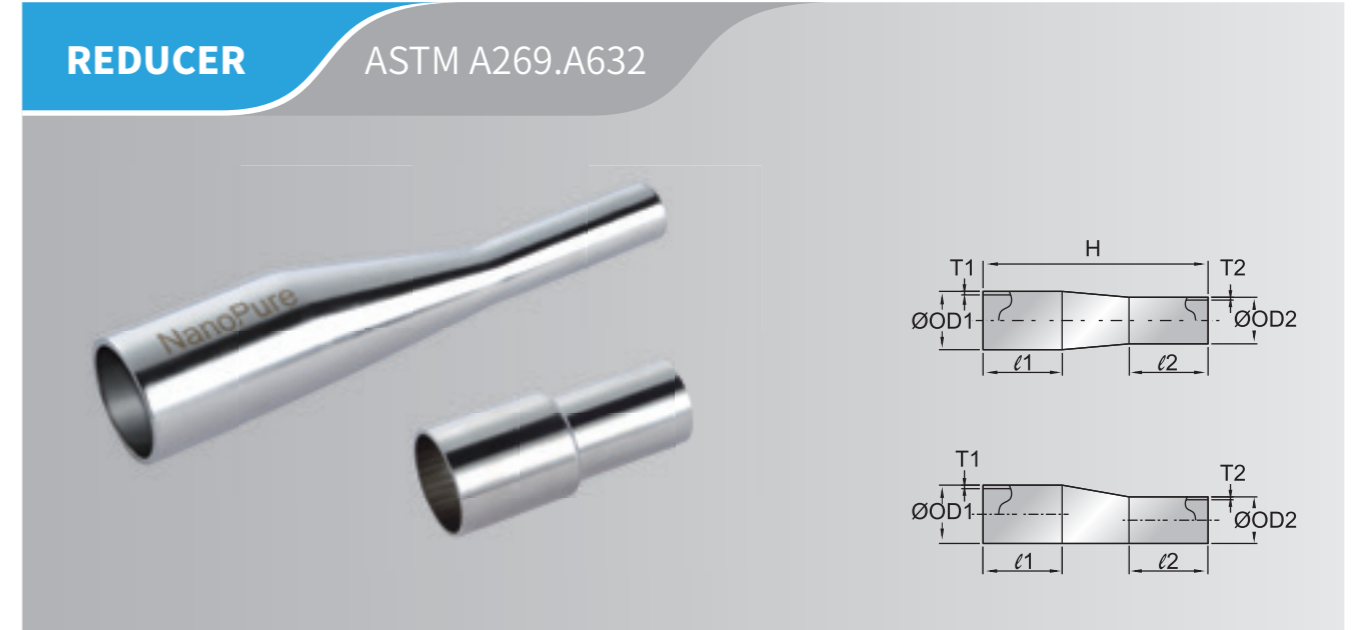


Unit= mm

Nominal Pipe Size	Concentric reducer	Eccentric reducer			
		Wall thickness at end		Straight end length <i>l</i> (<i>l</i> ₁ , <i>l</i> ₂)	H
		T(T ₁ , T ₂)			
	Nominal pipe size at small end	5S	10S		
OD(OD1)					
8A	[1/2", 3/8", 1/4"]	1.2	1.65	29	RC 80 RE 85
10A	[8A, 1/2", 3/8", 1/4"]	1.2	1.65	36	90
15A	[10A, 8A, 3/4", 1/2", 3/8", 1/4"]	1.65	2.1	36	100
20A	15A, [10A, 8A, 1", 3/4", 1/2", 3/8", 1/4"]	1.65	2.1	36	105
25A	20A, 15A, [10A, 8A, 1 1/4", 1", 3/4", 1/2", 3/8", 1/4"]	1.65	2.8	36	120
32A	25A, 20A, 15A, [1 1/2", 1 1/4"] (10A~8A, 1"~1/4")	1.65	2.8	46	125
40A	32A, 25A, 20A, 15A, [1 1/2"] (10A~8A, 1 1/4"~1/4")	1.65	2.8	46	130
50A	40A, 32A, 25A, 20A, [2"] (15A~8A, 1 1/2"~1/4")	1.65	2.8	46	140
65A	50A, 40A, 32A, 25A, [3", 2 1/2"] (20A~8A, 2"~1/4")	2.1	3.0	51	165
80A	65A, 50A, 40A, 32A, [3"] (25A~8A, 2 1/2"~1/4")	2.1	3.0	51	170
100A	80A, 65A, 50A, 40A, [4"] (32A~8A, 3"~1/4")	2.1	3.0	51	180
125A	100A, 80A, 65A, 50A, [5"] (40A~8A, 4"~1/4")	2.8	3.4	56	250
150A	125A, 100A, 80A, 65A, [6"] (50A~8A, 5"~1/4")	2.8	3.4	56	260
200A	150A, 125A, 100A, (80A~8A, 6"~1/4")	2.8	4.0	56	280



Unit= mm

Nominal Tube Size	Concentric reducer	Eccentric reducer		
		Wall thickness at end	Straight end length	H
	Nominal pipe size at small end			
OD(OD1)				
1/4"	[1/8"]	1.0(0.89)	29	70
3/8"	[1/4"]	1.0(0.89)	29	RC 70 RE 80
1/2"	3/8", [1/4"]	1.0, 1.24(1.65)	29	RC 75 RE 85
5/8"	[1/2", 3/8", 1/4", 8A]	1.0(1.24)	36	90
3/4"	[5/8", 1/2", [3/8", 1/4", 10A](8A)	1.24, 1.65	36	100
1"	3/4", [5/8", 1/2", [3/8", 1/4", 15A](10A~8A)	1.65, 1.24	36	105
1 1/4"	1", [3/4", 20A](5/8"~1/4", 15A~8A)	1.65	36	120
1 1/2"	1 1/4", 1", [3/4", 25A](5/8"~1/4", 20A~8A)	1.65	46	125
2"	1 1/2", [1 1/4", 1", [40A](3/4"~1/4", 32A~8A)	1.65	46	130
2 1/2"	2", 1 1/2", [1 1/4", 50A](1"~1/4", 40A~8A)	1.65	51	140
3"	2 1/2", 2", [1 1/2", 50A](1 1/4"~1/4", 40A~8A)	1.65	51	165
4"	3", 2 1/2", 2", [80A](1 1/2"~1/4", 65A~8A)	2.11	51	175
5"	[100A](4"~1/4", 80A~8A)	2.77, 3.05	56	230
6"	[125A](5"~1/4", 100A~8A)	2.77, 3.05	56	250