

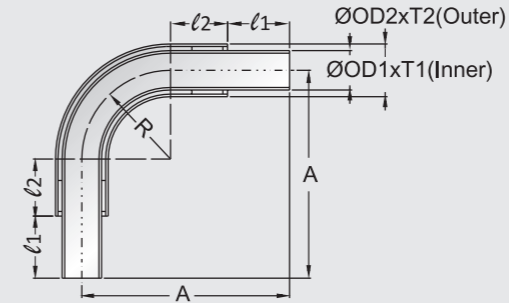
COXIAL- FITTING

JIS G3459

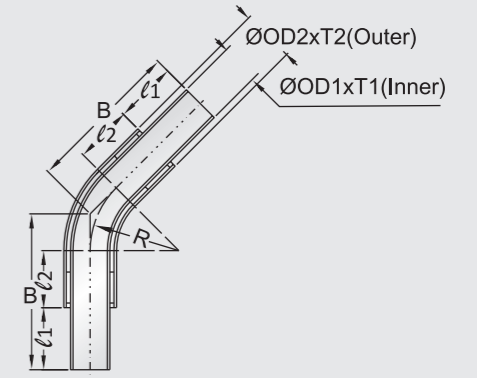


Unit= mm

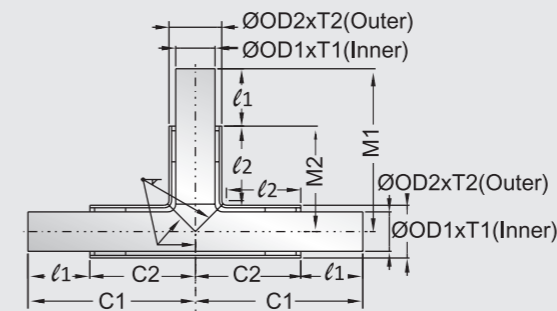
Nominal size		Straight end length		Elbow			Equal Tee		Stop spacer	Half tube	Over tube
Inner tube	Outer tube	ℓ1	ℓ2	R	A	B	C1, M1	C2, M2	H	ODxT	ODxT
1/4"x 1t	1/2" x 1t 1.24t	40	29	25	94	80	82	42	9	12.7 x 1.0 1.24	15 x 1.05
	8A x S5S	40	29	26	95	80	82	42	9	13.8 x 1.2	16.5 x 1.25
3/8"x 1t	5/8" x 1t 1.24t	40	36	28	104	88	89	49	9	15.88 x 1.0 1.24	18.5 x 1.2
	10A x S5S	40	36	30	106	89	89	49	9	17.3 x 1.2	20 x 1.25
1/2"x 1t 1.24t	3/4" x 1.24t	40	36	35	111	91	92	52	9	19.05 x 1.24	22 x 1.35
	15A x S5S	40	36	38	114	92	92	52	9	21.7 x 1.65	25.4 x 1.7
3/4"x 1.24t 1.65t	20A x S5S	40	36	47.6	124	96	95	55	12	27.2 x 1.65	Over tube, Please refer to page 53
1" x 1.24t 1.65t	25A x S5S	40	36	57.2	134	100	99	59	12	34.0 x 1.65	
1 1/2" x 1.65t	2" x 1.65t	46	46	95.3	188	132	123	77	12	50.8 x 1.65	
2" x 1.65t	2 1/2" x 1.65t	46	51	120	217	147	136	90	12	63.5 x 1.65	
10A x S5S	20A x S5S	40	36	47.6	124	96	95	55	12	27.2 x 1.65	
15A x S5S	25A x S5S	40	36	57.2	134	100	99	59	12	34.0 x 1.65	
20A x S5S	32A x S5S	40	46	76.2	163	118	114	74	12	42.7 x 1.65	
25A x S5S	40A x S5S	40	46	95.3	182	126	117	77	12	48.6 x 1.65	
32A x S5S	50A x S5S	46	46	47.6	143	124	129	83	12	60.5 x 1.65	



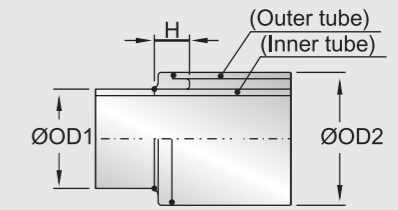
90° Elbow



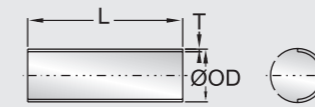
45° Elbow



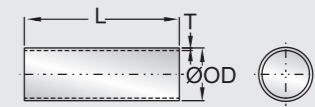
Equal Tee



Stop spacer



Half tube



Over tube