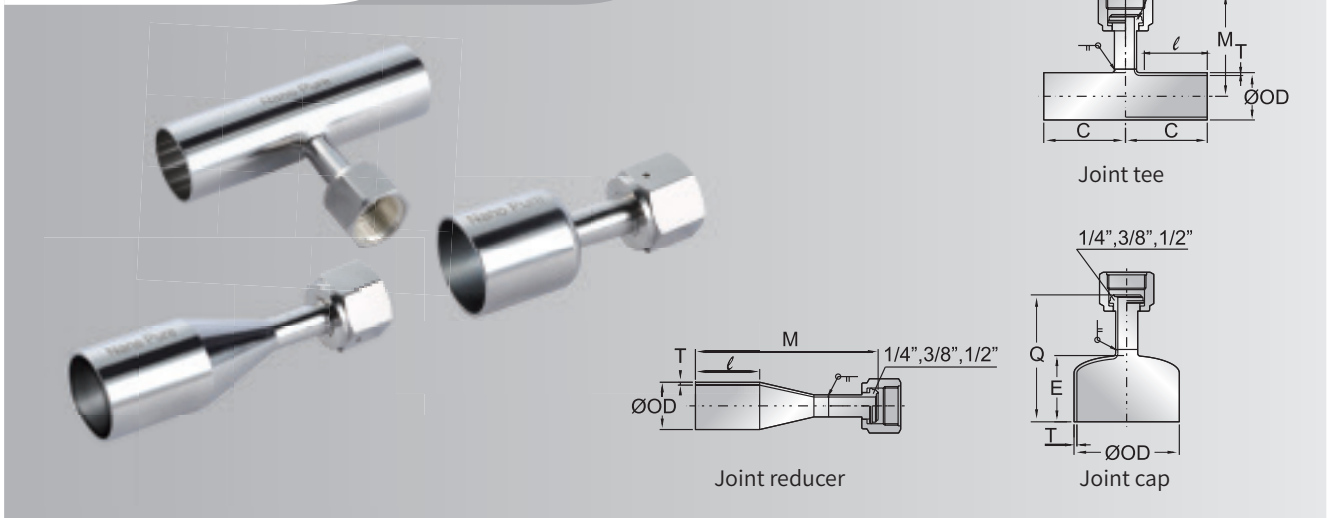


JOINT-FITTINGS

JIS G3459

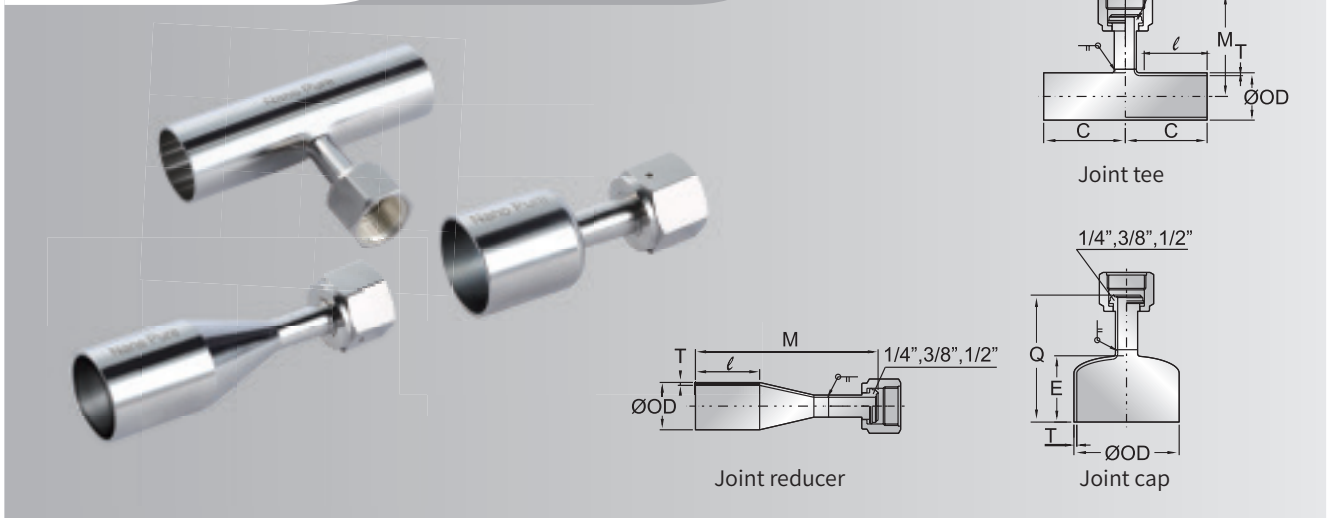


Unit= mm

Nominal pipe size	Joint tee			Joint reducer		Joint cap		
	OD	Female	Male	Female	Male	Cap length	Female	Male
	C	M	M	H	H	E	Q	Q
8A	45	35	45	90	100	-	-	-
10A	52	37	47	100	110	19.1	48	58
15A	52	39.5	49.5	110	120	25.4	55	65
20A	55	42.5	52.5	115	125	25.4	55	65
25A	59	46.5	56.5	130	140	38.1	68	78
32A	68	51	61			38.1	68	78
40A	68	54	64			38.1	68	78
50A	68	60	70			38.1	68	78
65A	72	68	78			38.1	68	78
80A	72	74.5	84.5			50.8	81	91
100A	72	87	97			63.5	94	104
125A	100	100	110			76.2	107	117
150A	110	113	123			88.9	120	130
200A	120	138.5	148.5			101.6	133	143

**JOINT-FITTINGS**

ASTM A269.A632



Unit= mm

Nominal tube size	Joint tee			Joint reducer		Joint cap		
	C	Female M	Male M	Female H	Male H	Cap length E	Female Q	Male Q
1/4"	43	31.5	41.5	-	-	-	-	-
3/8"	45	33.5	43.5	80	90	-	-	-
1/2"	45	35	45	85	95	-	-	-
5/8"	52	36.5	46.5	100	110	-	-	-
3/4"	52	38	48	110	120	19.1	48	58
1"	55	42	52	115	125	25.4	55	65
1 1/4"	59	45.5	55.5	-	-	38.1	68	78
1 1/2"	68	48	58	-	-	38.1	68	78
2"	68	55	65	-	-	38.1	68	78
2 1/2"	72	61.5	72.5	-	-	38.1	68	78
3"	72	68	78	-	-	38.1	68	78
4"	72	81	91	-	-	63.5	94	104
5"	90	94	104	-	-	-	-	-
6"	100	107	117	-	-	-	-	-